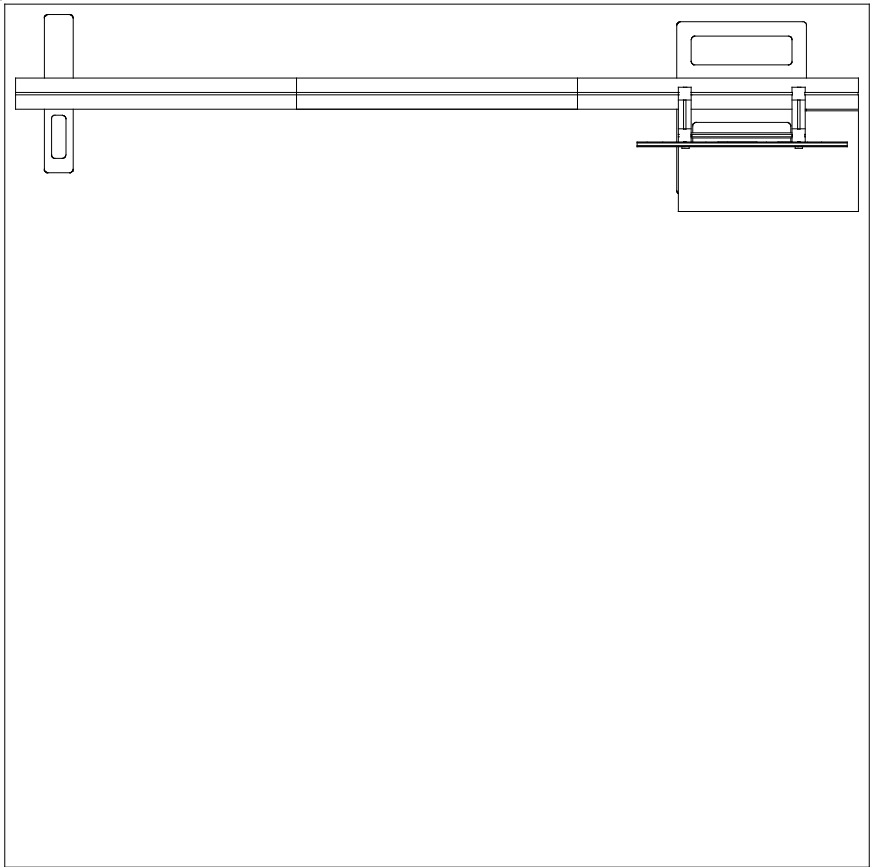
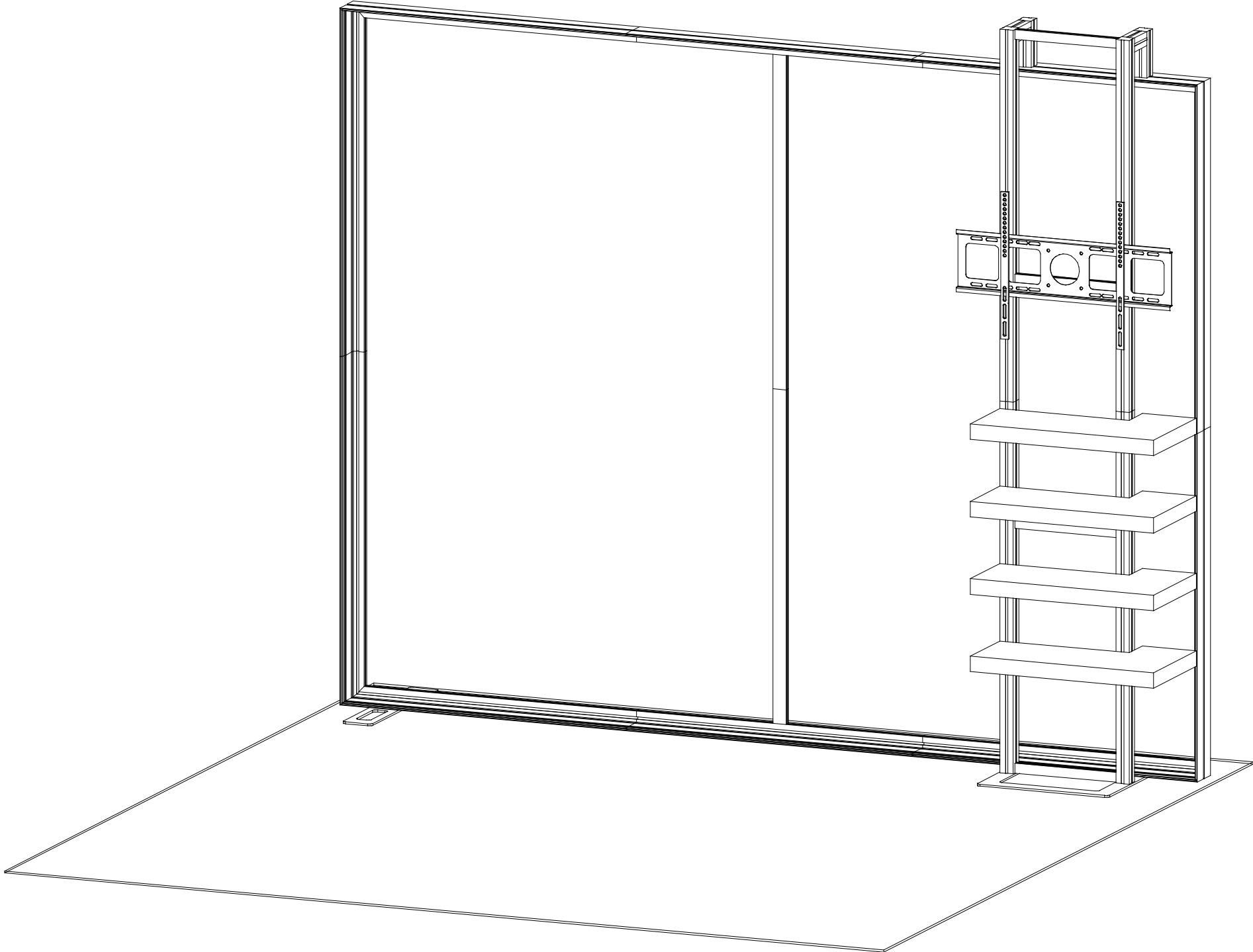


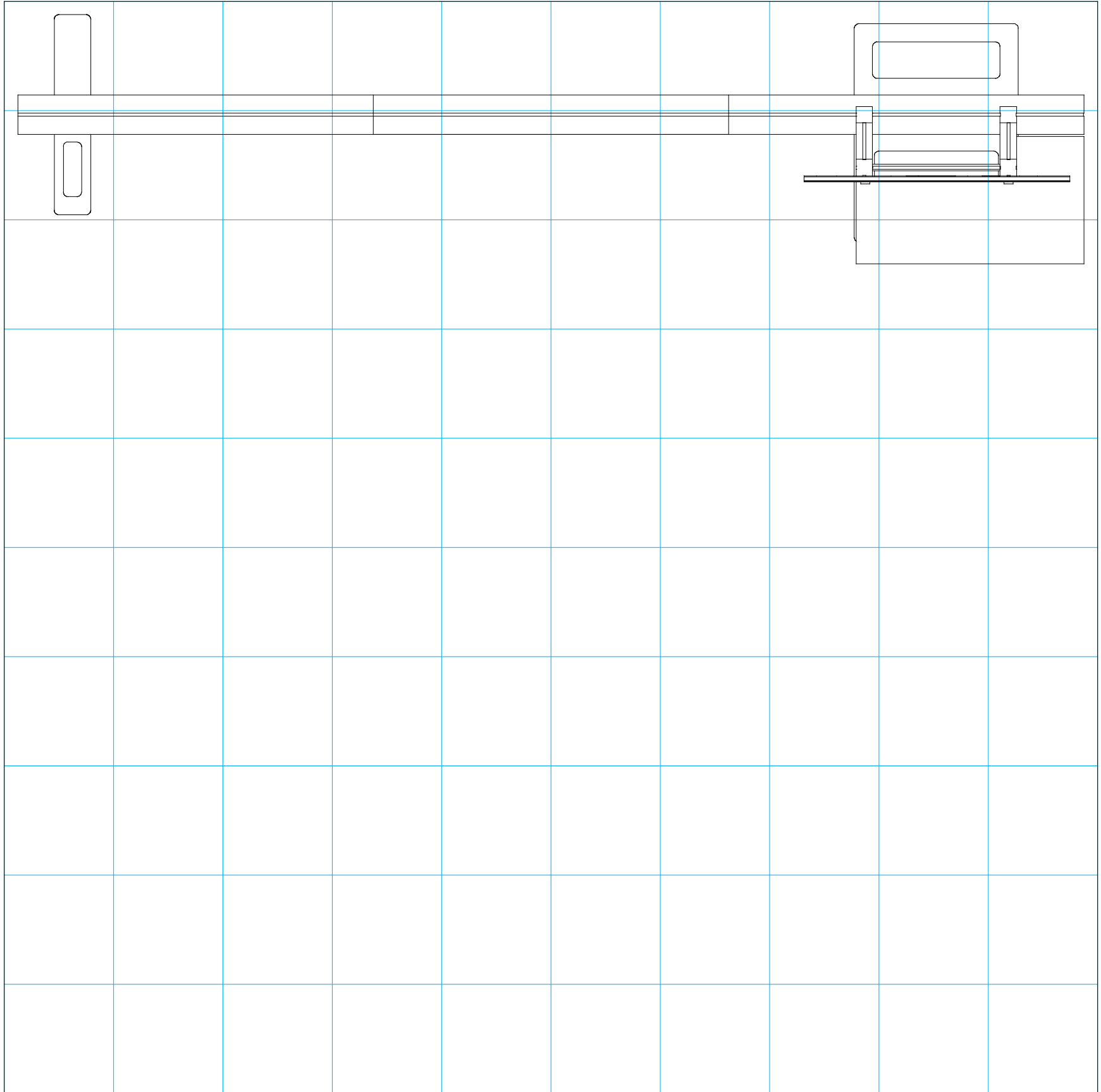
Order #54687 - ECO-1066-A - 10' x 10' Sustainable Exhibit



10'

Plan View

10'



= 1 sq foot

## General Setup Instructions

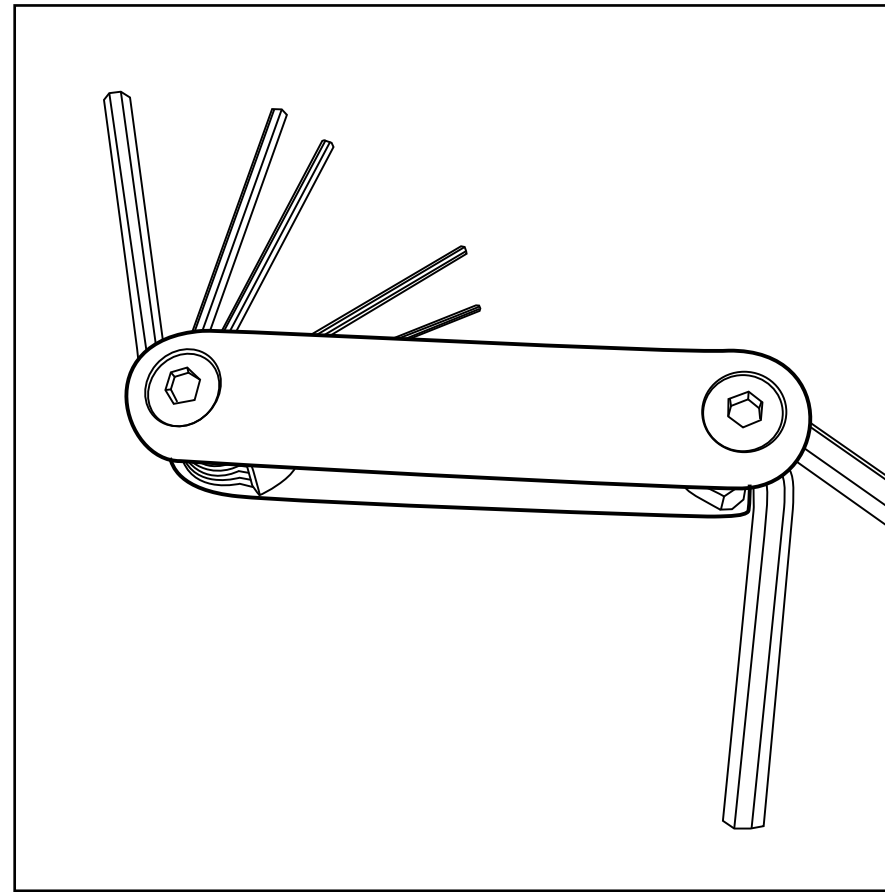
- The setup instructions are created specifically for your configuration.
- Setup instructions are laid out sequentially in levels, including exploded views and a logical series of steps for assembly. We encourage you to study the instructions before attempting to assemble your exhibit.

## Cleaning and Packing

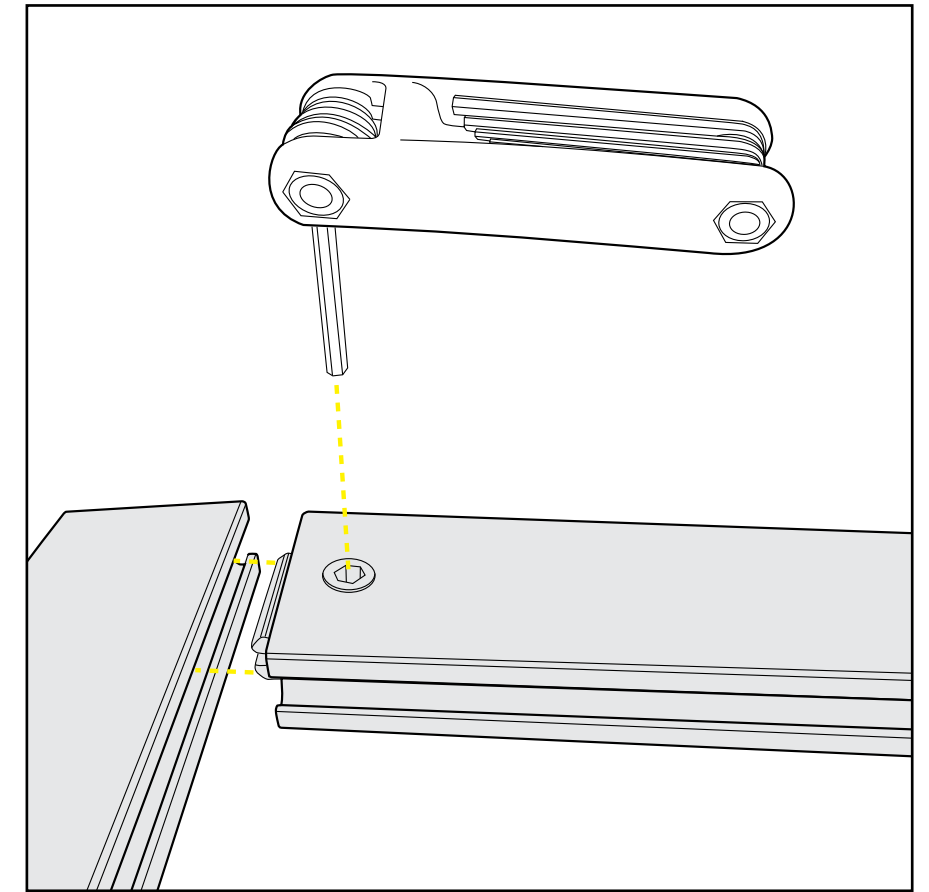
- Use non-abrasive cleaners when cleaning extrusions or ECO Glass inserts.
- Use mild cleaners and soft materials such as cotton to clean all laminates.
- Keep exhibit components away from extreme heat and long exposure to sun light. This will prevent warping and fading.
- Retain all packing material for ease of re-packing. This protects the exhibit components and keeps each part organized.

## Disassembling

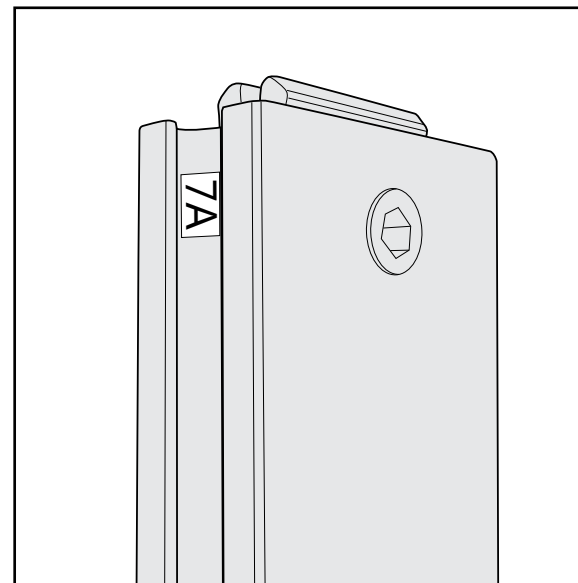
- When disassembling exhibit, tighten all setscrews to prevent loss of hardware in the shipping process.



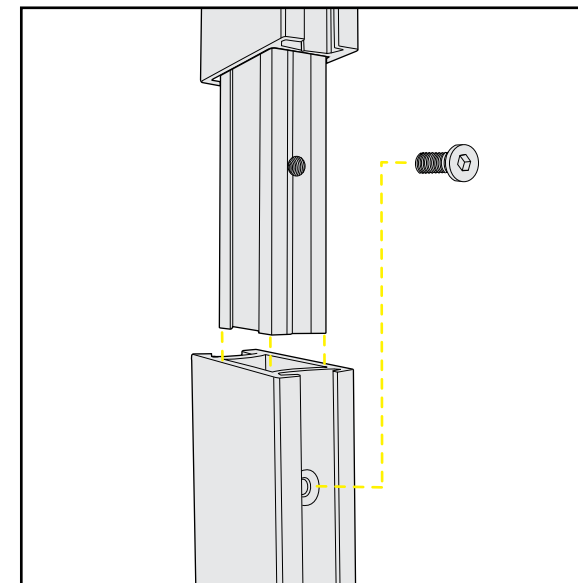
Hex Tool for Assembling Exhibit



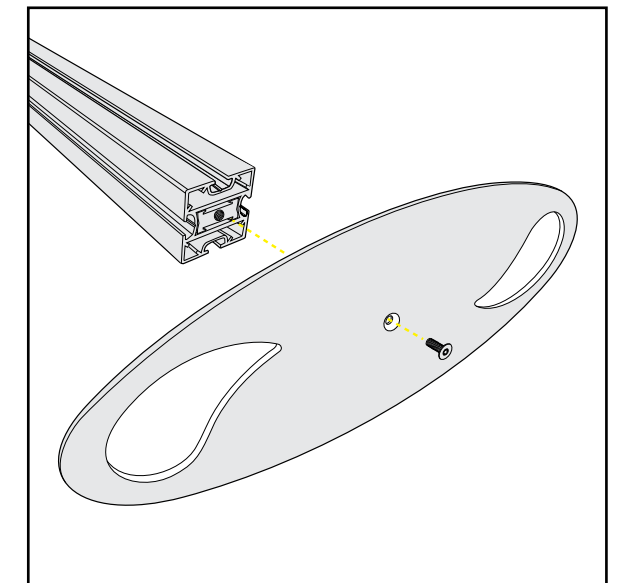
Extrusion Lock Connectors



Numbering Instructions for Setups/Packing



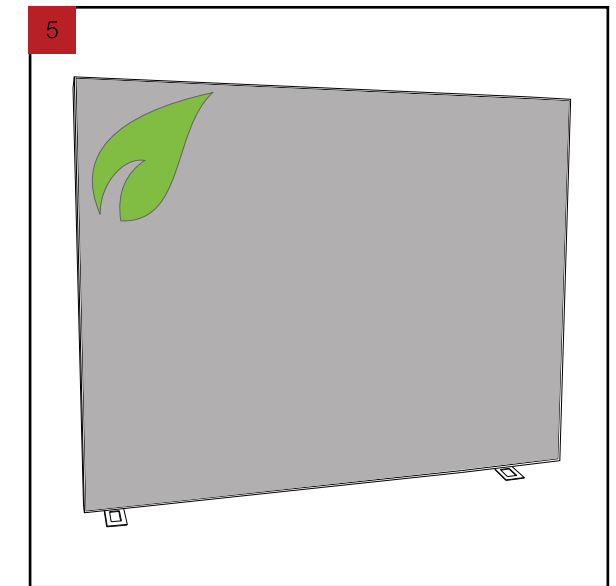
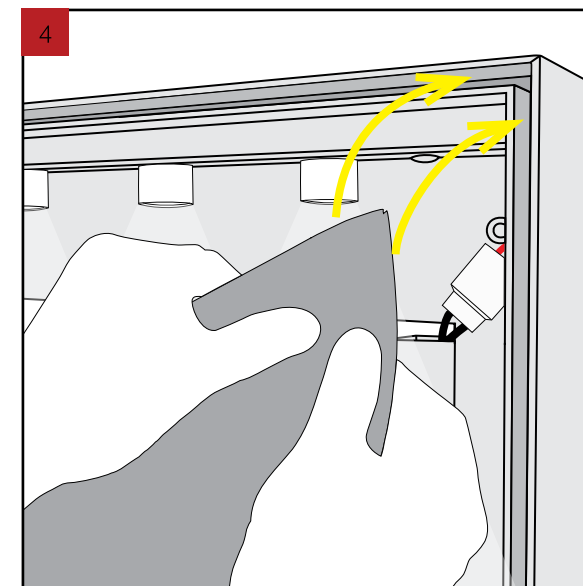
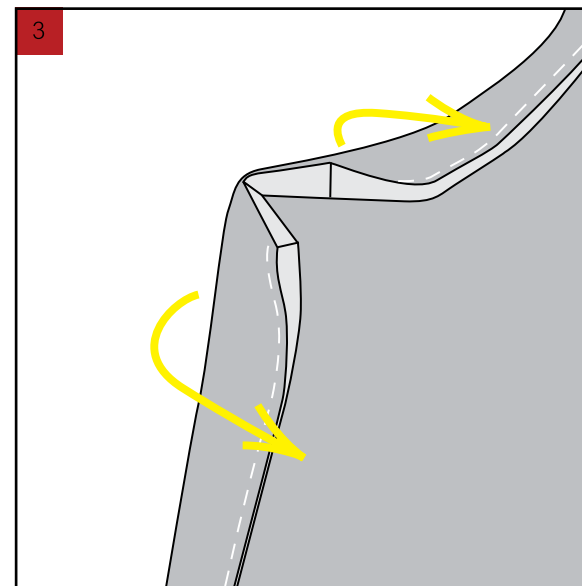
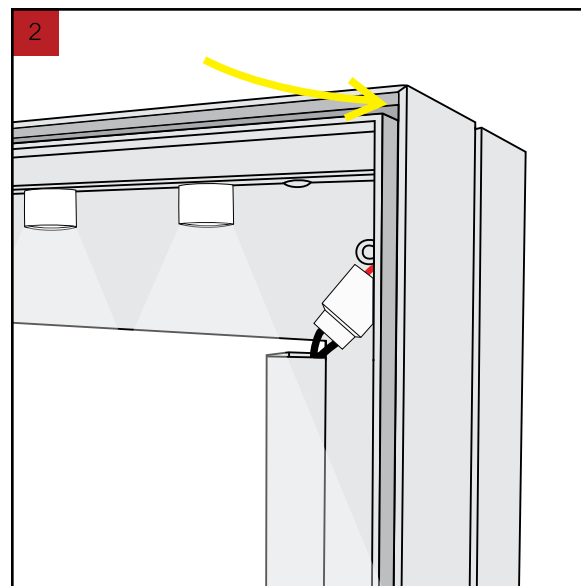
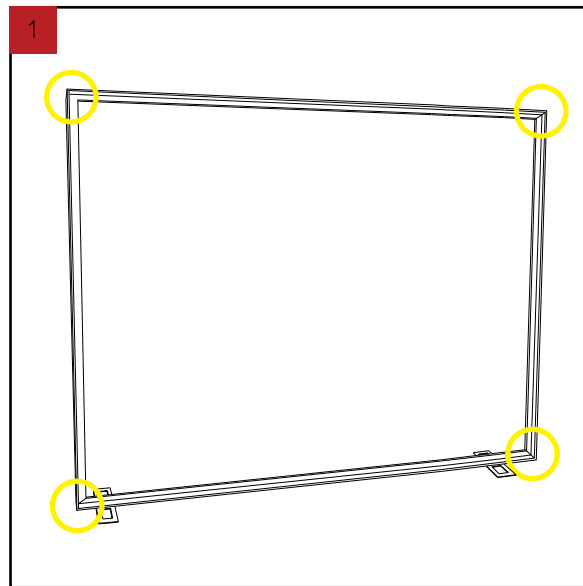
Inline Connection between Extrusions



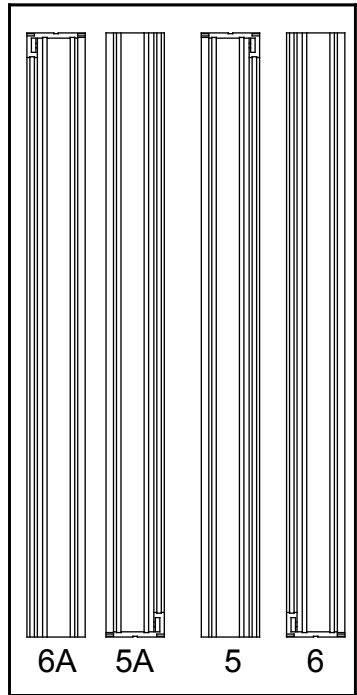
Baseplate Connection for Vertical Extrusions

## SEG Graphic Install

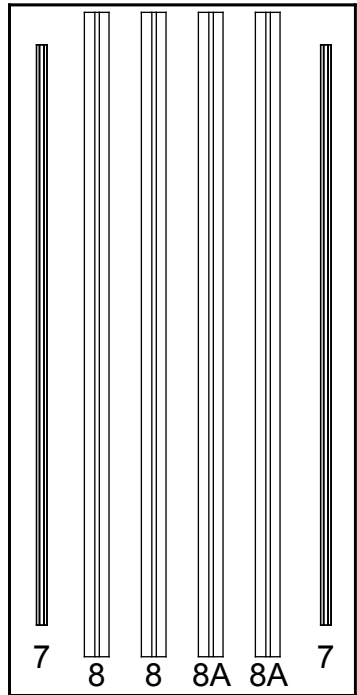
- 1 Graphic is installed corners first. This allows a proportional fit around the perimeter of the extrusion.
- 2 Locate channels along the edge of the extrusions.
- 3 Fold over graphic (hiding threads) and tuck silicon edge and fabric into corners.
- 4 After corners are complete, slide in the rest of the graphic into channel. (From edges to center)
- 5 Graphic is installed. Stand back and be amazed!



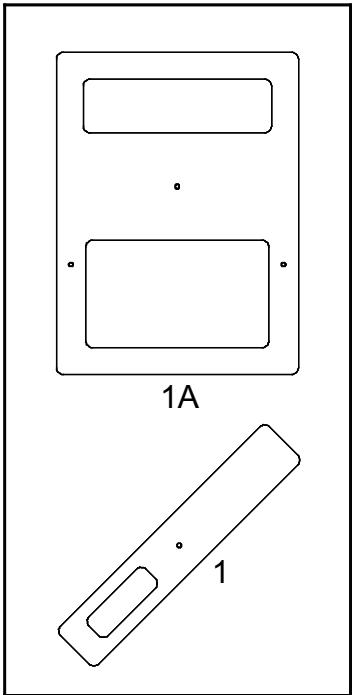
### Top View of Each Level



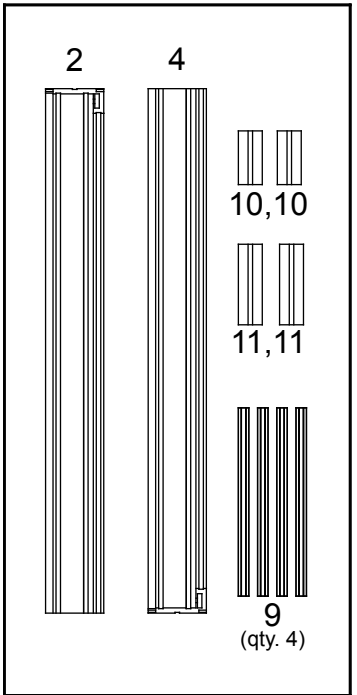
Level 1  
*(Bottom level)*



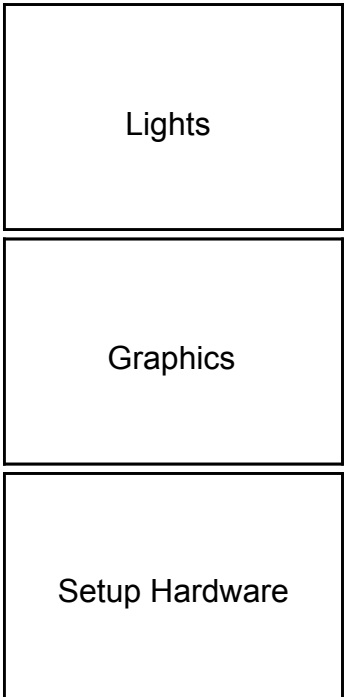
Level 2



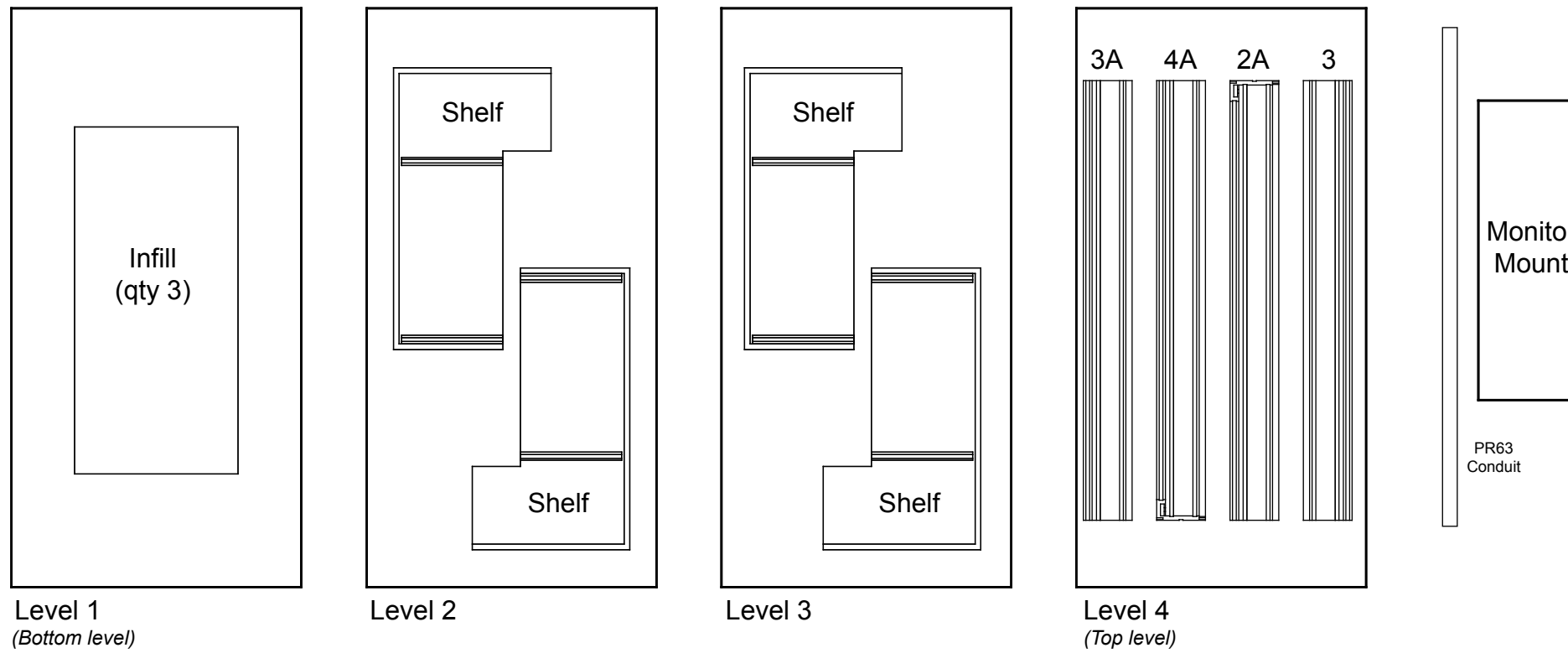
Level 3



Level 4  
*(Top level)*



## Top View of Each Level



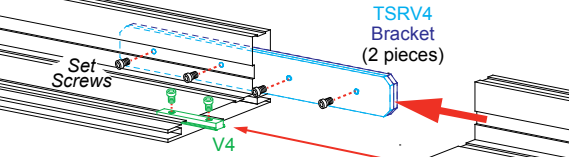
| Item | Qty. | Description                      |
|------|------|----------------------------------|
| 1    | 1    | 4" x 22" Base Plate              |
| 1A   | 1    | 18" x 24" Base Plate             |
| 2/2A | 1/1  | 39"w CEI110 Horizontal Extrusion |
| 3/3A | 1/1  | 39"w CEI110 Horizontal Extrusion |
| 4/4A | 1/1  | 39"w CEI110 Horizontal Extrusion |
| 5/5A | 1/1  | 45"h CEI110 Vertical Extrusion   |
| 6/6A | 1/1  | 45"h CEI110 Vertical Extrusion   |
| 7    | 2    | 43.177"h Z45 Vertical Extrusion  |
| 8    | 2    | 48"h S44 Vertical Extrusion      |

Steps:

- 1) Attach verticals [8] to Base Plate [1A], using bolts.
- 2) Install Base Plate [1] to horizontal [2], using bolt.
- 3) Connect Base Plate [1A] to horizontal [4], using bolt.
- 4) Assemble horizontals [2-3-4], [2A-3A-4A] together. See **CEI-110 Straight Connection** detail.
- 5) Connect verticals [5-6], [5A-6A] together. See **CEI-110 Straight Connection** detail.
- 6) Attach horizontal assemblies [2/3/4], [2A/3A/4A] between vertical assemblies [5,6], [5A/6A]. See **CEI-110 Corner Connection** detail.
- 7) Connect verticals [7] between horizontal assemblies [2/3/4], [2A/3A/4A]. See **Z45 Attachment** detail.
- 8) Apply SEG Graphic to front of frame assembly. See the SEG Graphic Installation general information page for instructions.

**\* CEI-110 Straight Connection**

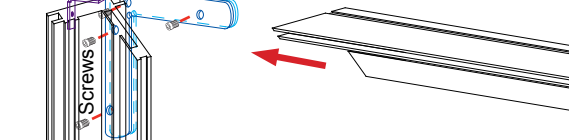
1. Insert TSRV4 Bracket into center groove & V4 Connector into front groove of extrusion.
2. Slide Connecting extrusion over exposed end of bracket & connector.



3. Use Set Screws to secure extrusions.

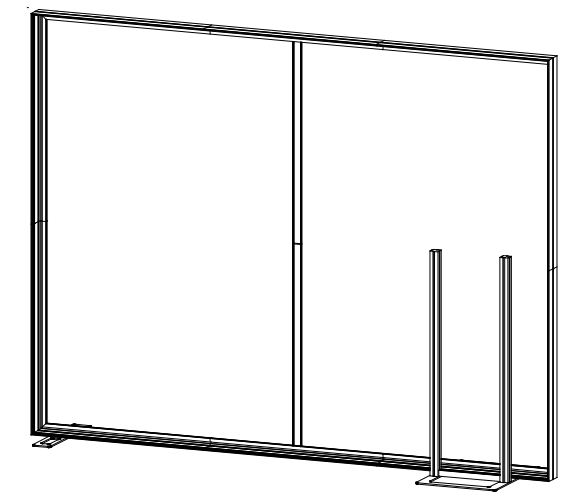
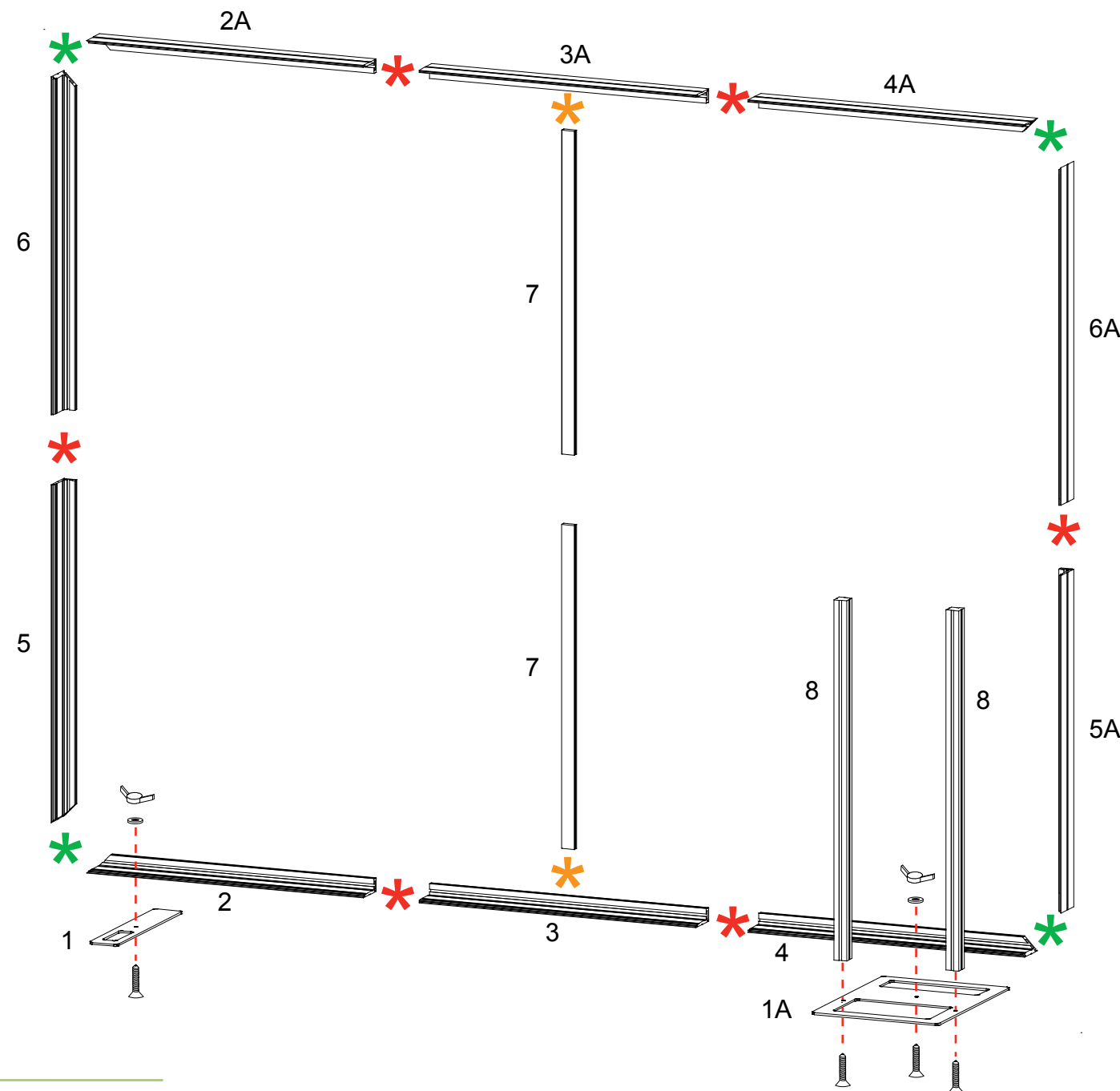
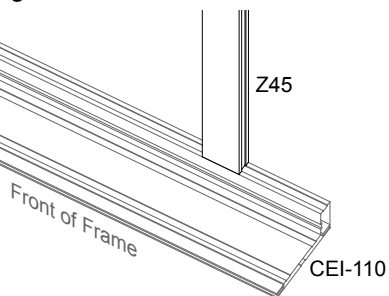
**\* CEI-110 Corner Connection**

- 1) Insert TSRV2 and A1 Brackets into milled groove of extrusion.
- 2) Slide connecting extrusion over exposed end of brackets.
- 3) Use Set screws to secure extrusions.



**\* Z45 Attachment**

Attach Z45 vertical to back groove of CEI-110 horizontal.



When assembled

| Item | Qty. | Description                           |
|------|------|---------------------------------------|
| 8A   | 2    | 48" h S44 Vertical Extrusion          |
| 9    | 4    | 14" w Z33 Horizontal Extrusion        |
| 10   | 2    | 4" w S44 Horizontal Extrusion         |
| 11   | 2    | 6" h S44 Vertical Extrusion           |
| --   | 3    | 14.5" w x 30.7933" h Eco-Glass Infill |
| --   | 4    | Backwall Shelf w/ Z32 Extrusion       |

Steps:

- 1) Attach horizontal [9] between verticals [8].
- 2) Slide lower **infill** between verticals & secure with horizontal [9].
- 3) Assemble verticals [8A] to tops of verticals [8].  
See [S44 Vertical Connection](#) detail.
- 4) Connect horizontal [9] between vertical assemblies [8/8A].
- 5) Slide middle **infill** between verticals & secure with horizontal [9].
- 6) Slide upper **infill** between verticals & secure with horizontal [9].

Steps (cont'd):

- 7) Attach horizontals [10] to back of verticals [8A] as shown.
- 8) Connect verticals [11] to horizontals [10] & to top of backwall horizontal [4A].
- 9) Install Shelves to vertical assemblies [8/8A].  
See [Shelf Attachment](#) detail.
- 10) Attach Light to top of assembled backwall  
See [Light Attachment](#) detail.

